
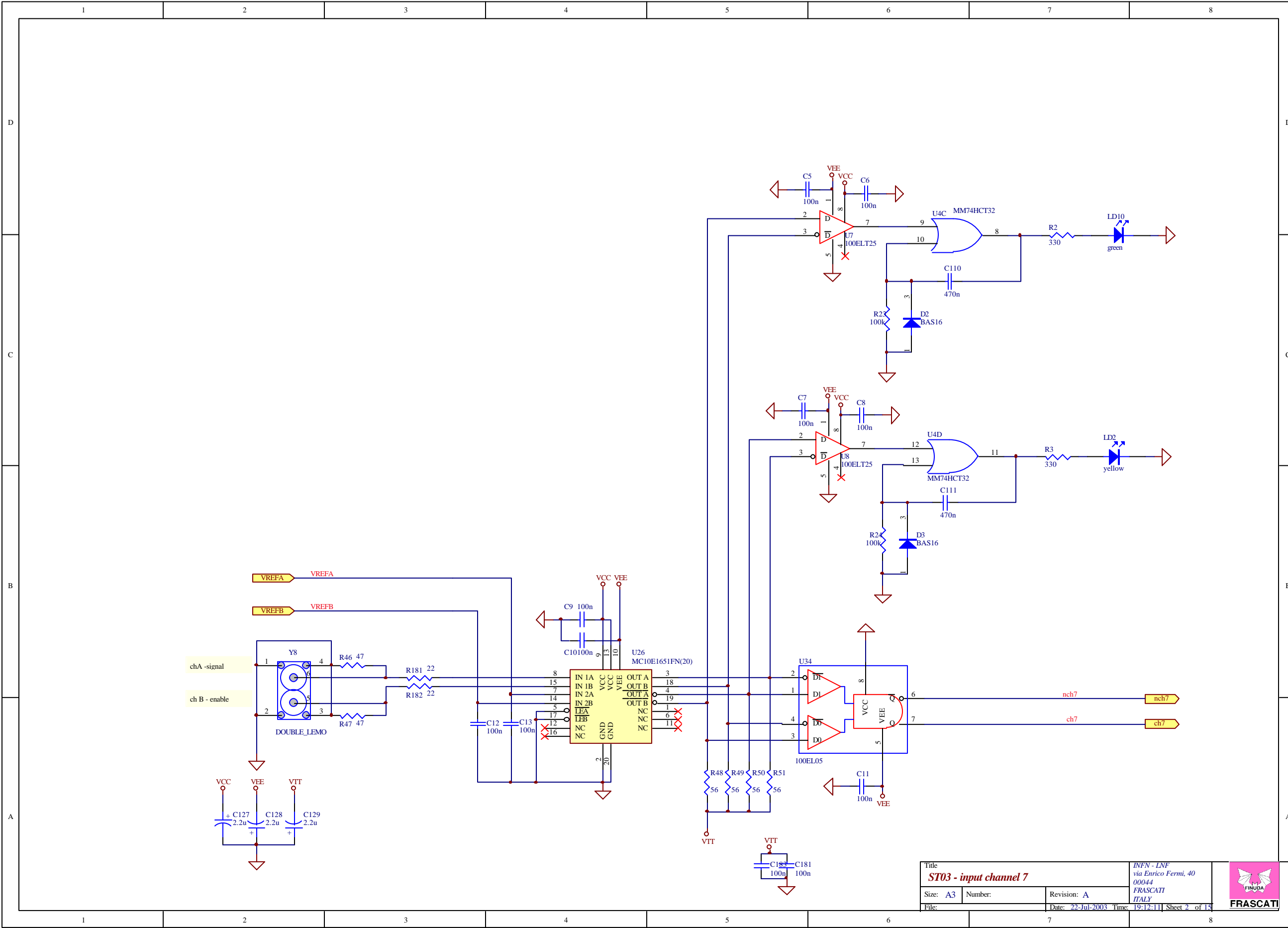


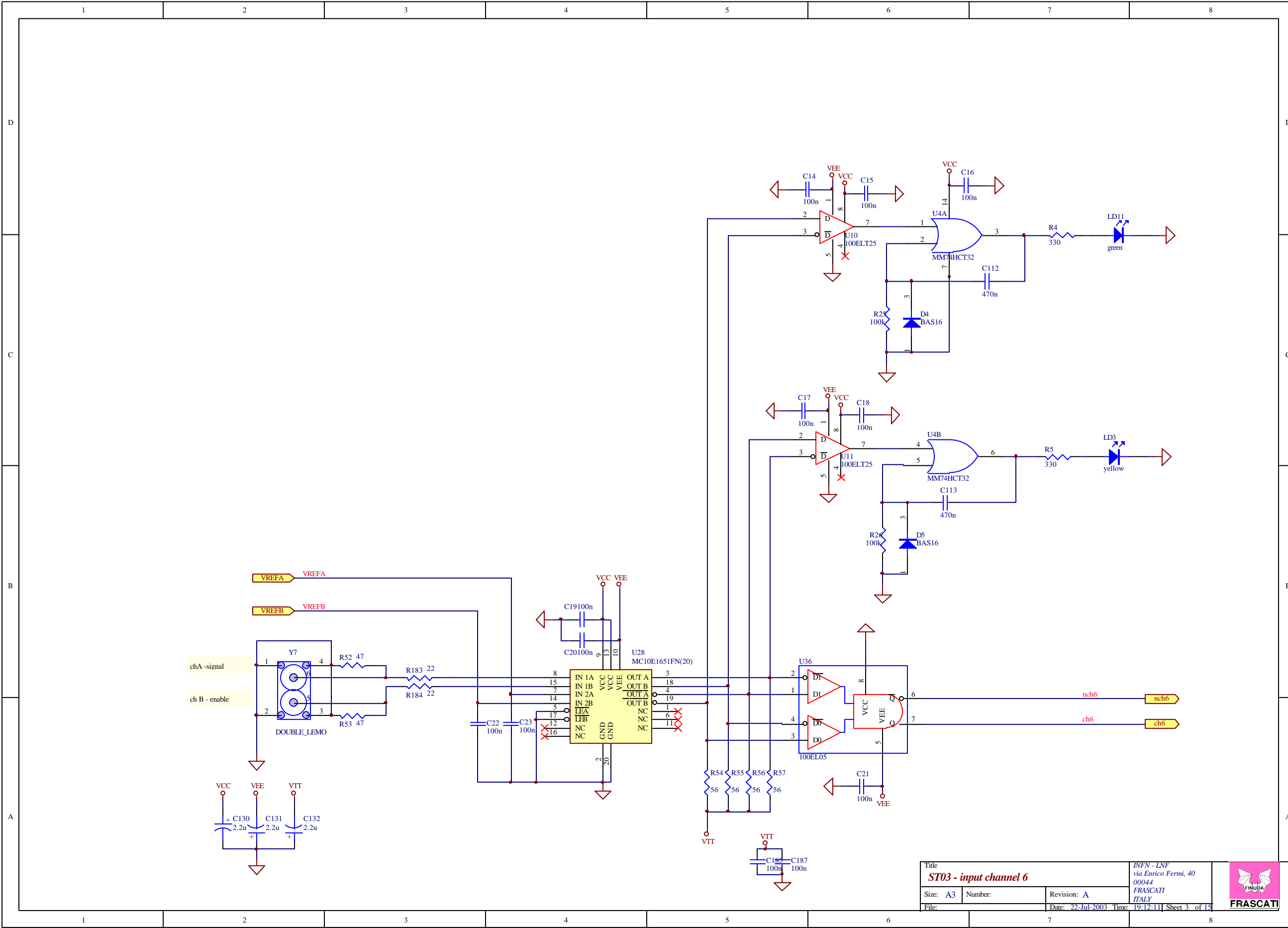
VICINO A VEE di ogni coppia di resistenze di terminazione


Title ST03		INFN - LNF via Enrico Fermi, 40 00044 FRASCATI ITALY		 FRASCATI
Size: A3	Number:	Revision: A	Date: 22-Jul-2003 Time: 19:12:10 Sheet 1 of 15	
File:				

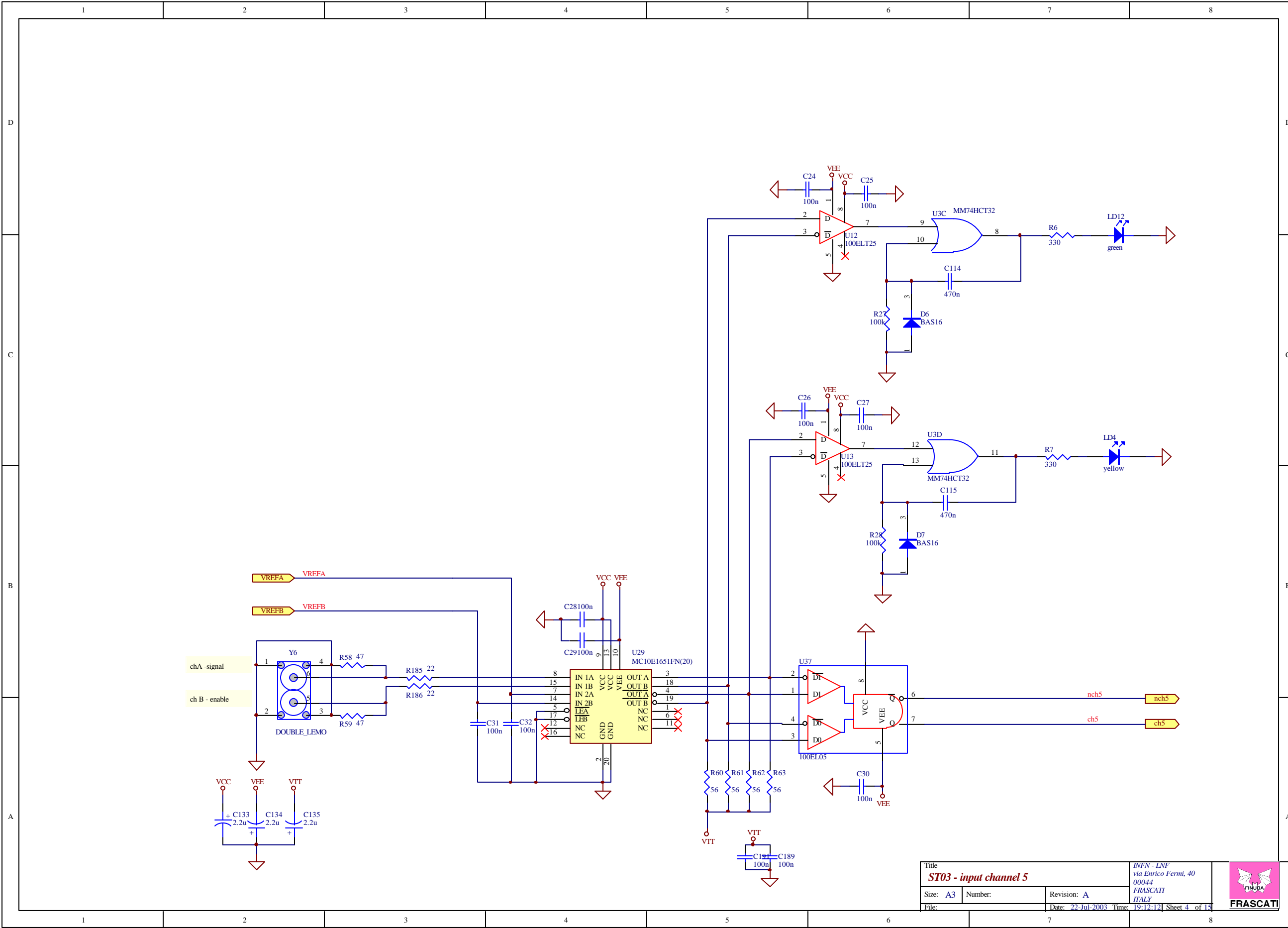


Title ST03 - input channel 7		INFN - LNF via Enrico Fermi, 40 00044 FRASCATI ITALY	
Size: A3	Number:	Revision: A	Date: 22-Jul-2003 Time: 19:12:11 Sheet 2 of 15
File:			



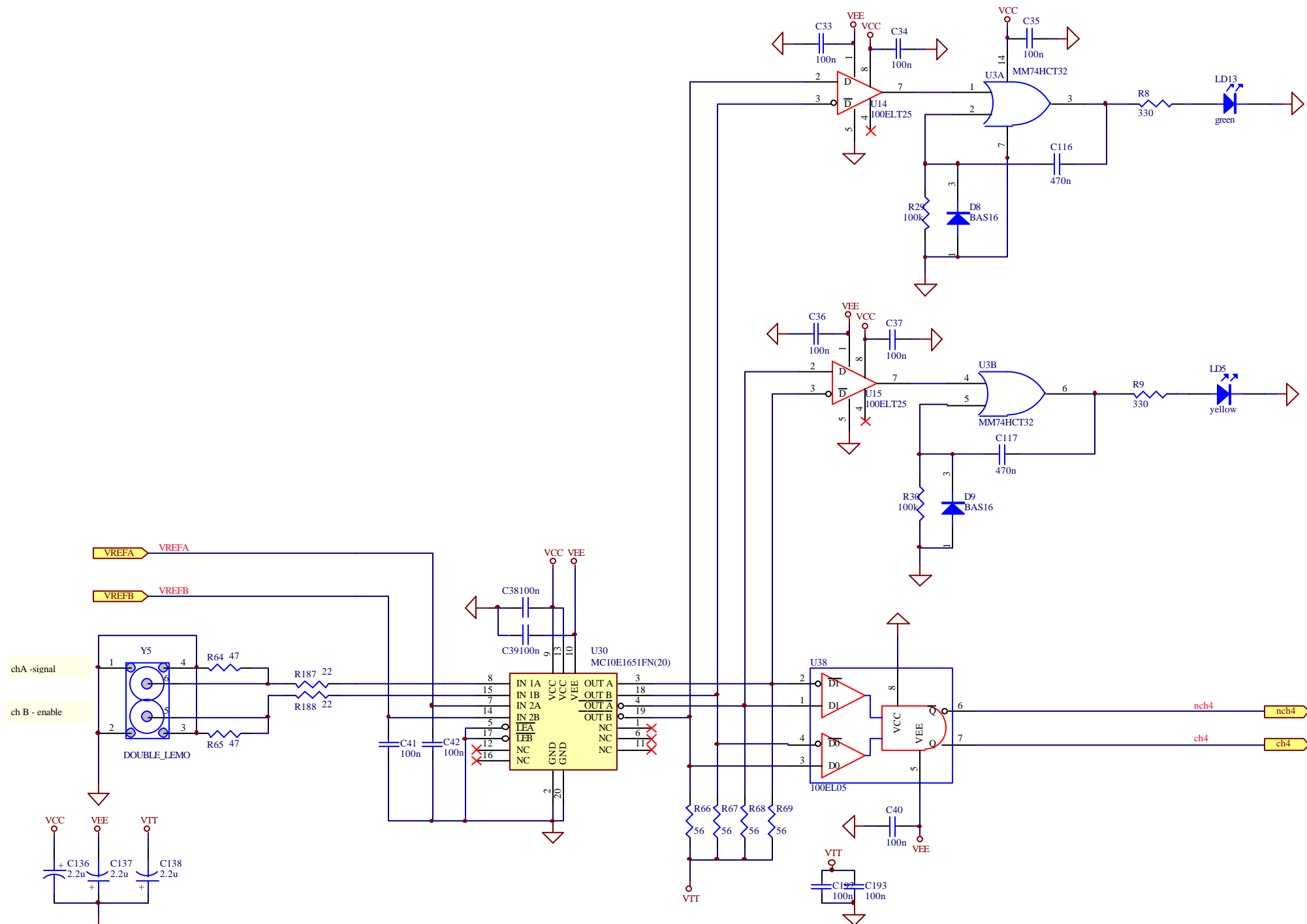


Title ST03 - input channel 6		INFN - LNF via Enrico Fermi, 40 00044 FRASCATI ITALY		 FRASCATI
Size: A3	Number:	Revision: A	Date: 22-Jul-2003 Time: 19:12:11 Sheet 3 of 15	
File:				



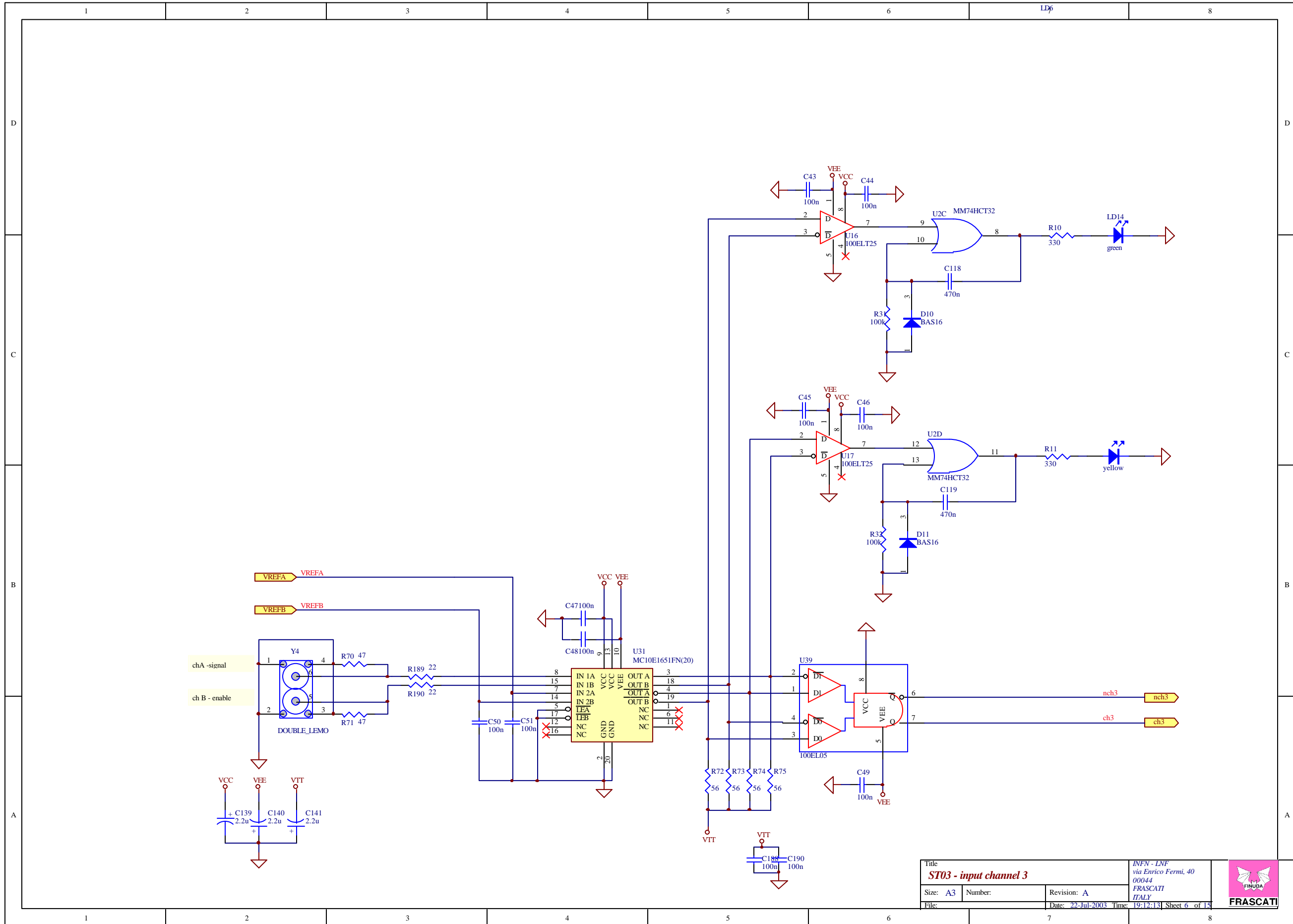
Title ST03 - input channel 5		INFN - LNF via Enrico Fermi, 40 00044 FRASCATI ITALY	
Size: A3	Number:	Revision: A	Date: 22-Jul-2003 Time: 19:12:12 Sheet 4 of 15
File:			





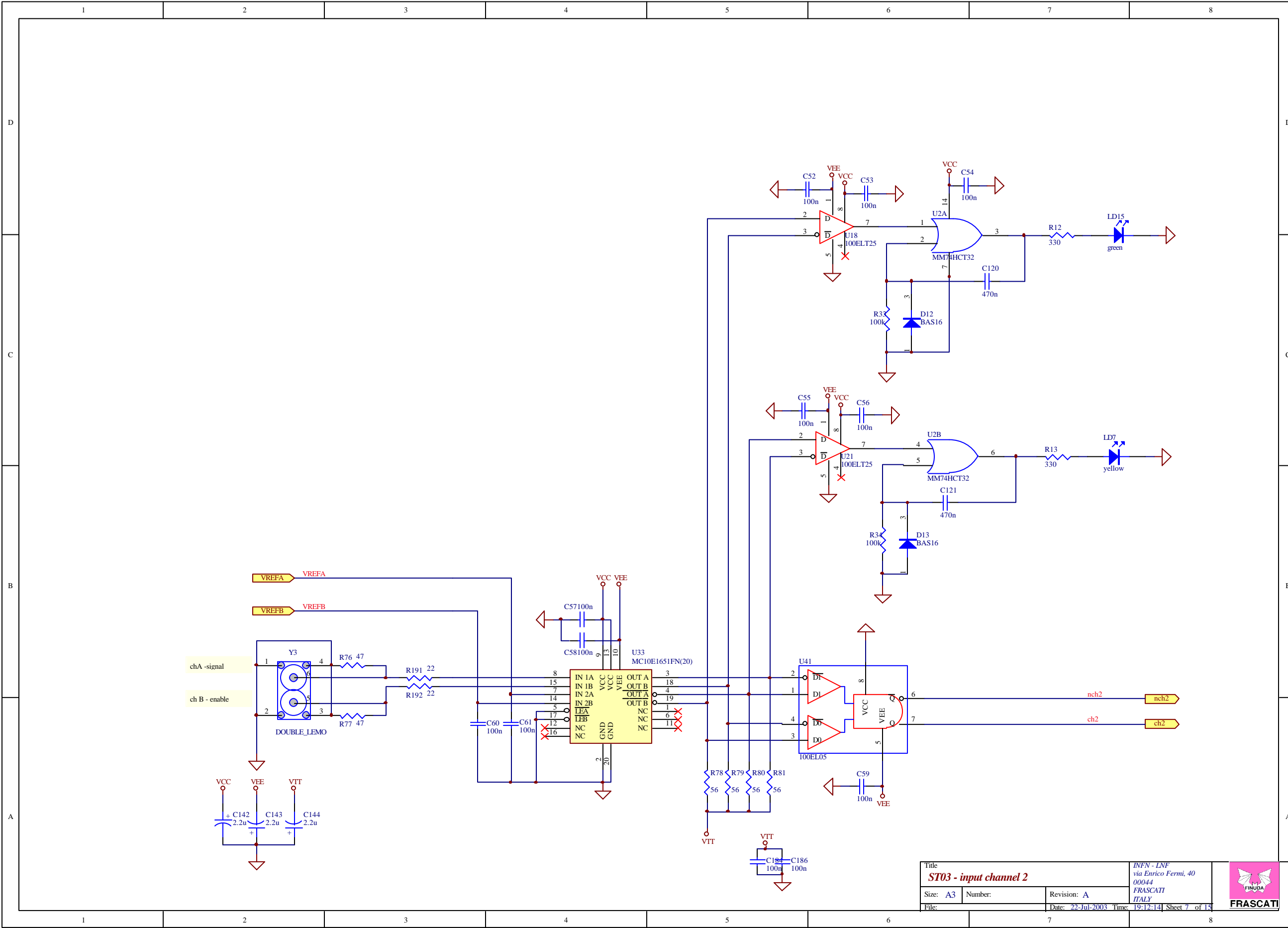
Title ST03 - input channel 4		INFN - LNF via Enrico Fermi, 40 00044 FRASCATI ITALY	
Size: A3	Number:	Revision: A	
File:		Date: 22-Jul-2003	Time: 19:12:13 Sheet 5 of 15





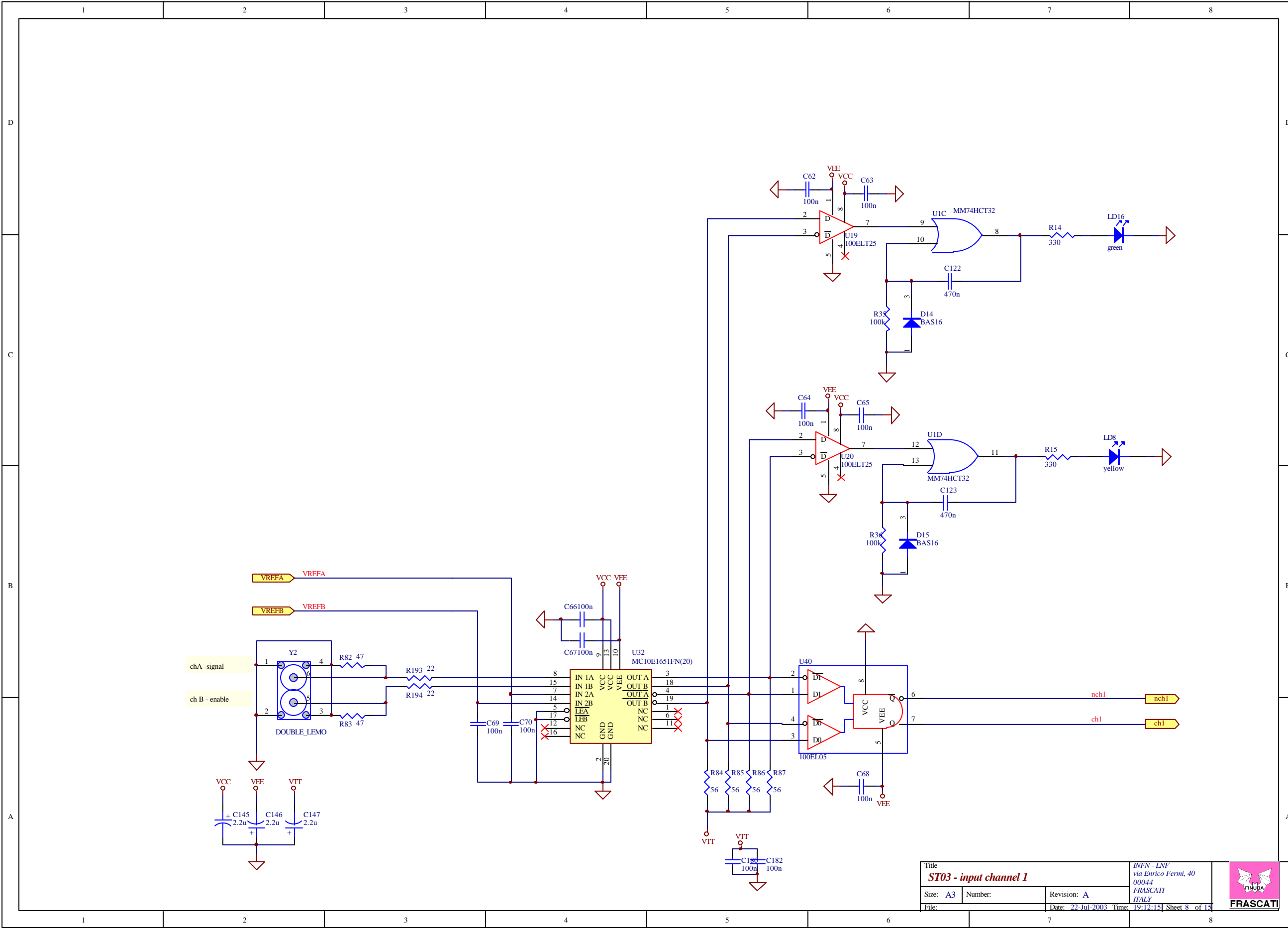
Title ST03 - input channel 3		INFN - LNF via Enrico Fermi, 40 00044 FRASCATI ITALY	
Size: A3	Number:	Revision: A	Date: 22-Jul-2003 Time: 19:12:13 Sheet 6 of 15
File:			





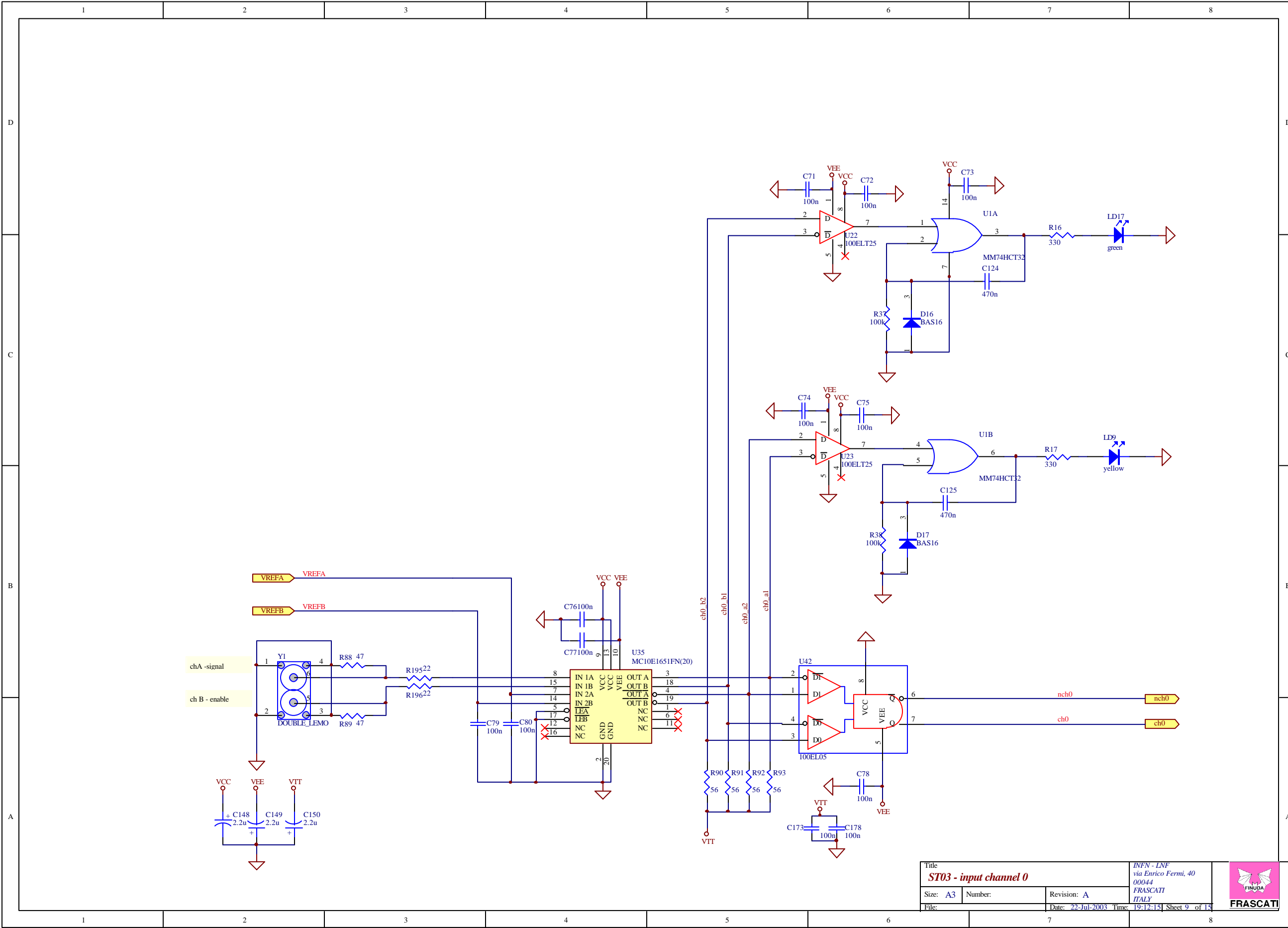
Title ST03 - input channel 2		INFN - LNF via Enrico Fermi, 40 00044 FRASCATI ITALY	
Size: A3	Number:	Revision: A	Date: 22-Jul-2003 Time: 19:12:14 Sheet 7 of 15
File:			





Title		INFN - LNF	
ST03 - input channel 1		via Enrico Fermi, 40	
Size: A3	Number:	Revision: A	00044
File:		Date: 22-Jul-2003	Time: 19:12:15
		Sheet 8 of 15	



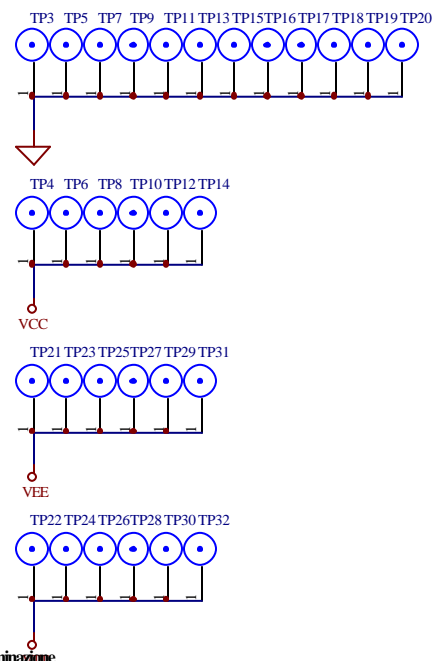
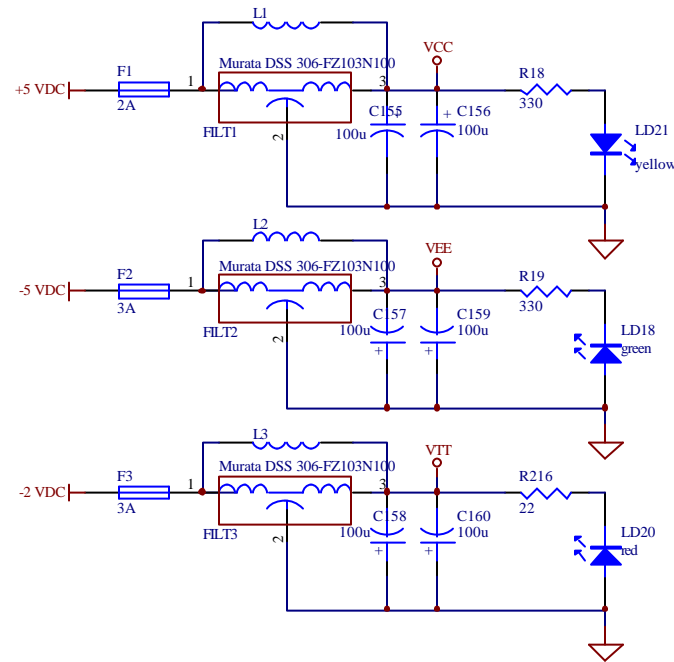
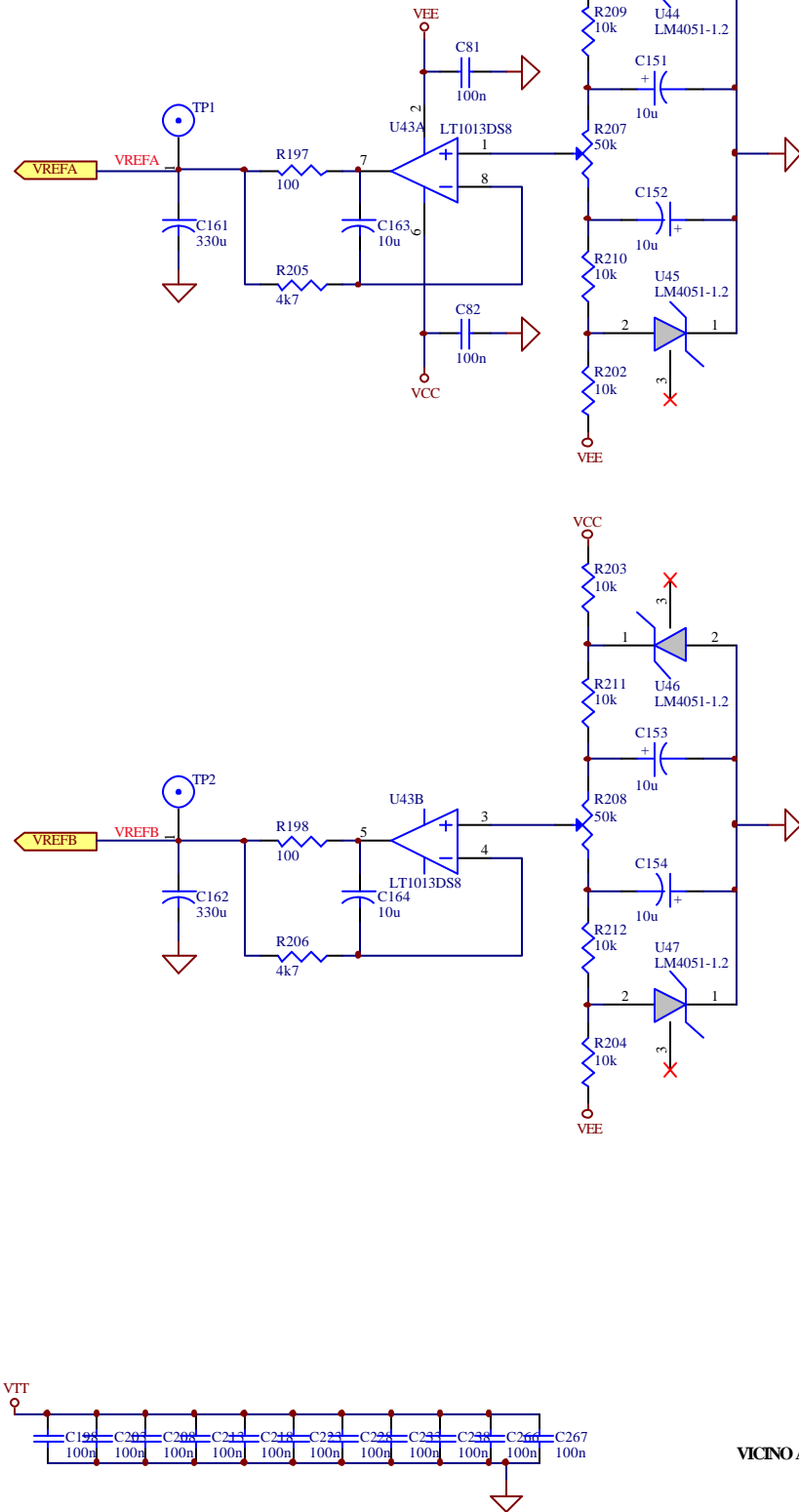


Title ST03 - input channel 0		INFN - LNF via Enrico Fermi, 40 00044 FRASCATI ITALY	
Size: A3	Number:	Revision: A	
File:		Date: 22-Jul-2003	Time: 19:12:15 Sheet 9 of 15

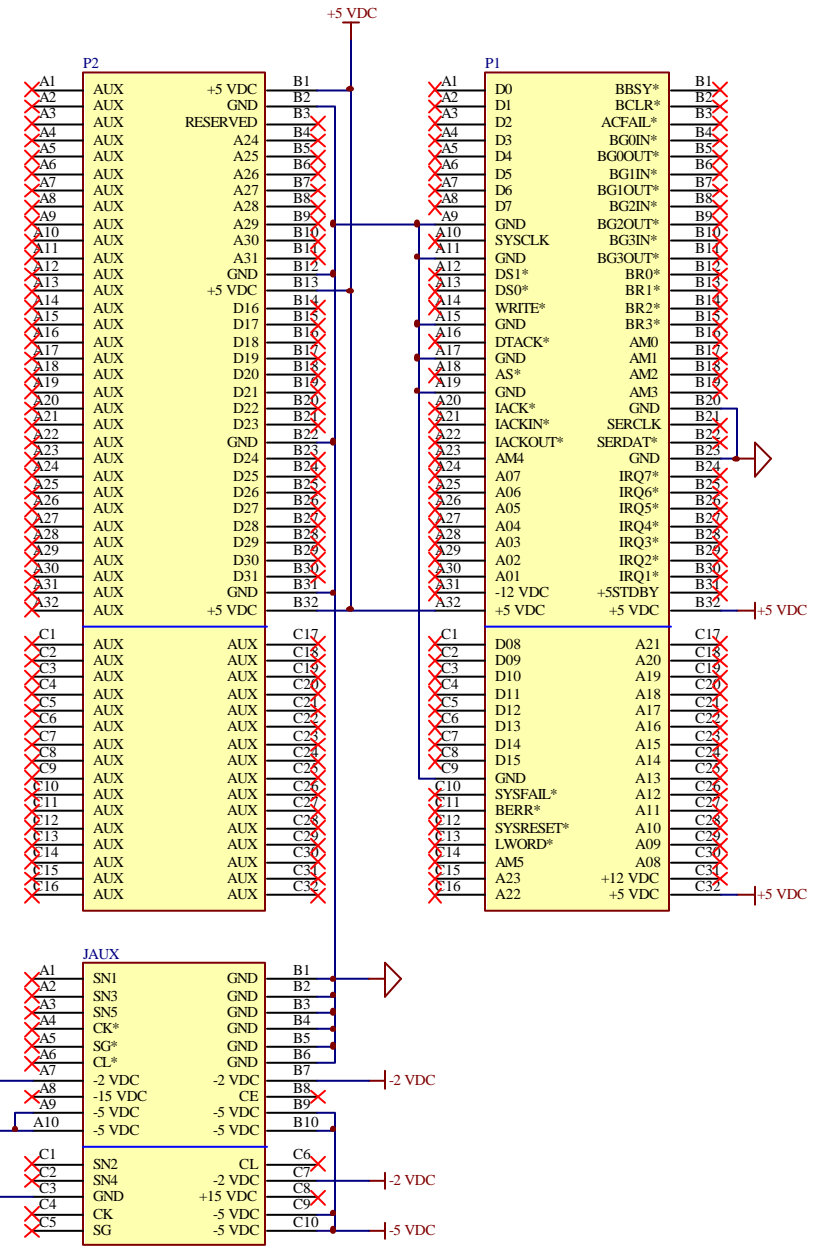


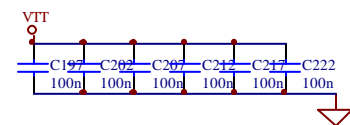
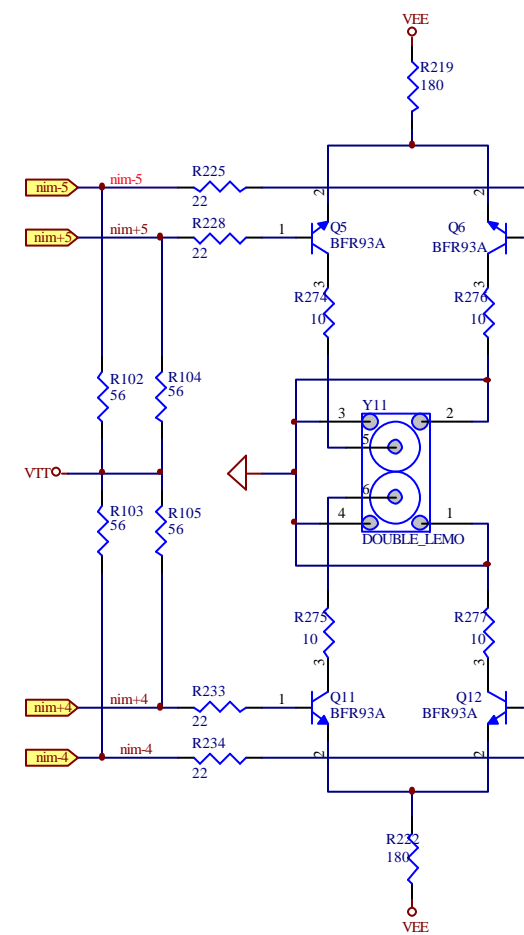
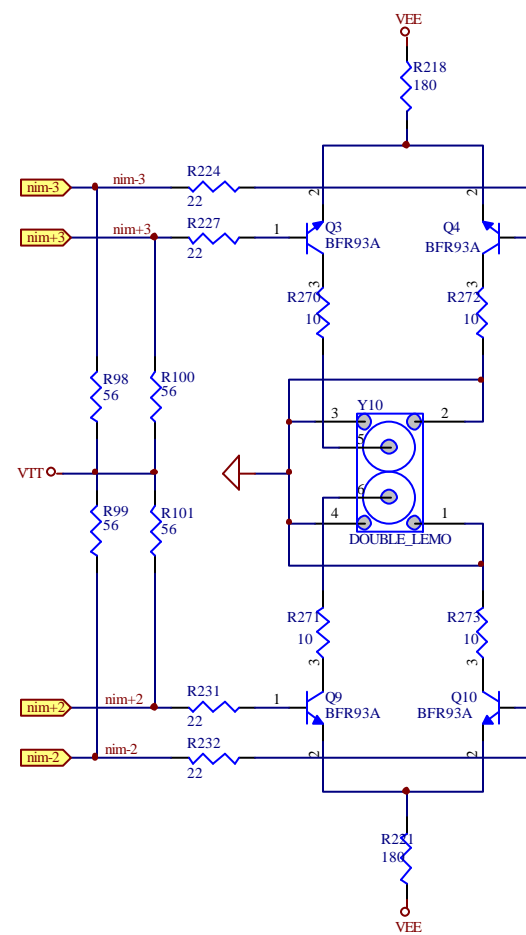
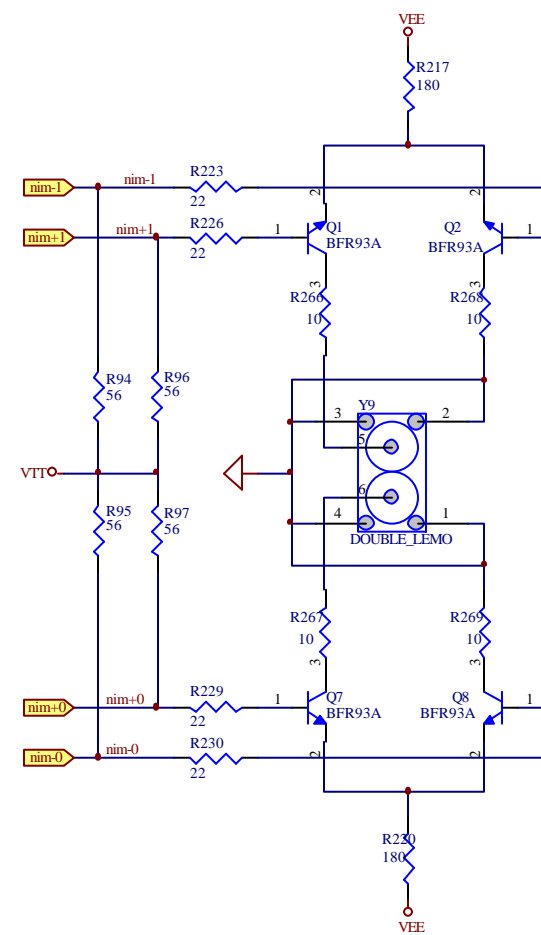
Varianti nella rev.A :
 * R201, R209, R203, R211, U44, U46 non sono montate.
 * C151, C153 sono sostituiti da un cortocircuito.
 * U45, U47 sono sostituiti da ZRA250F01

* Non montare gli induttori L1 L2 L3
 * F2, F3 sono da 3A ritardati se non è montata la parte "prototype", altrimenti sono da 4A ritardati.



VICINO A VTT di ogni coppia di resistenze di terminazione

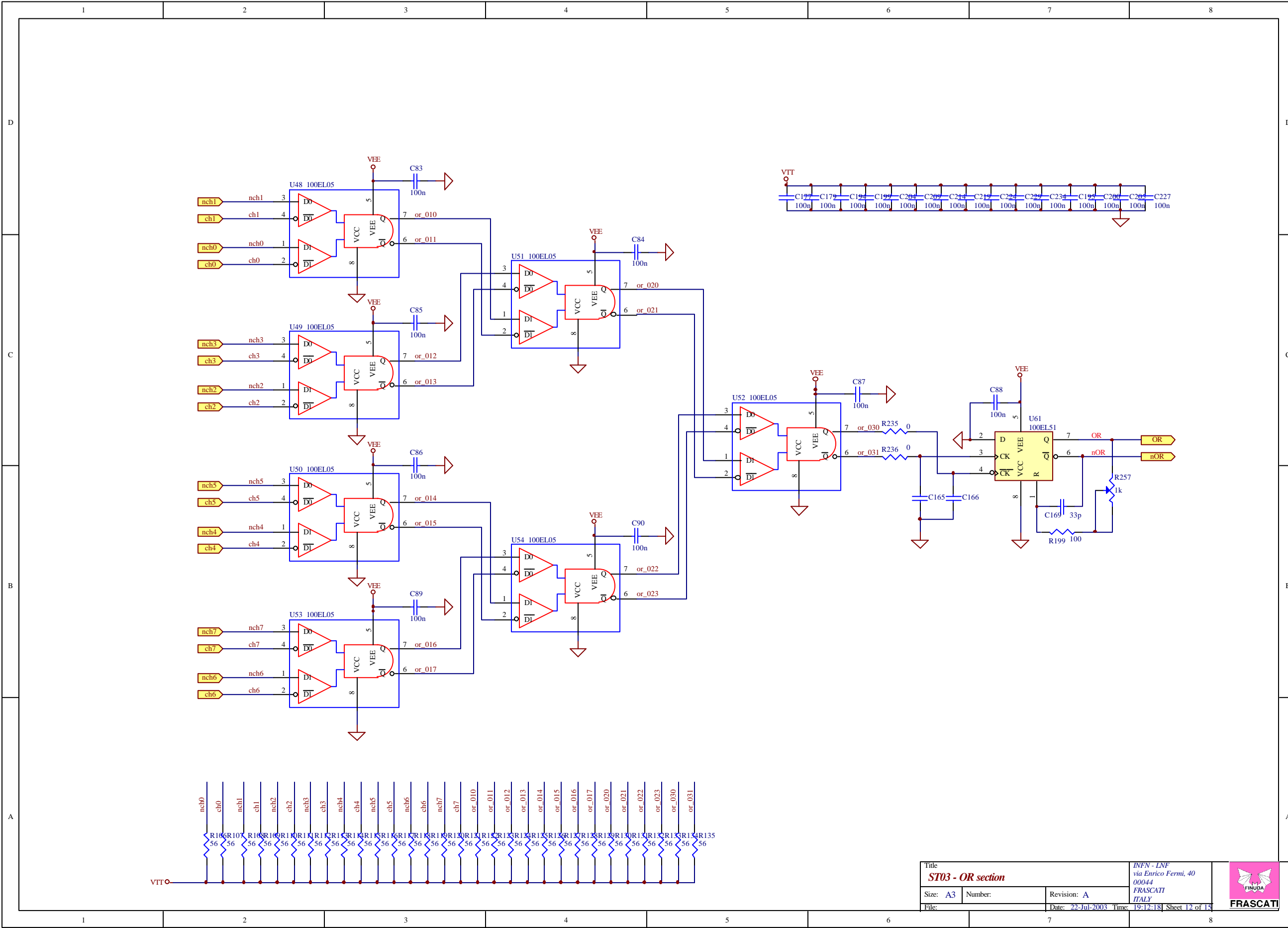




Title ST03 - NIM outputs		Revision: A	
Size: A3	Number:	Date: 22-Jul-2003	Time: 19:12:17
File:		Sheet 11 of 15	

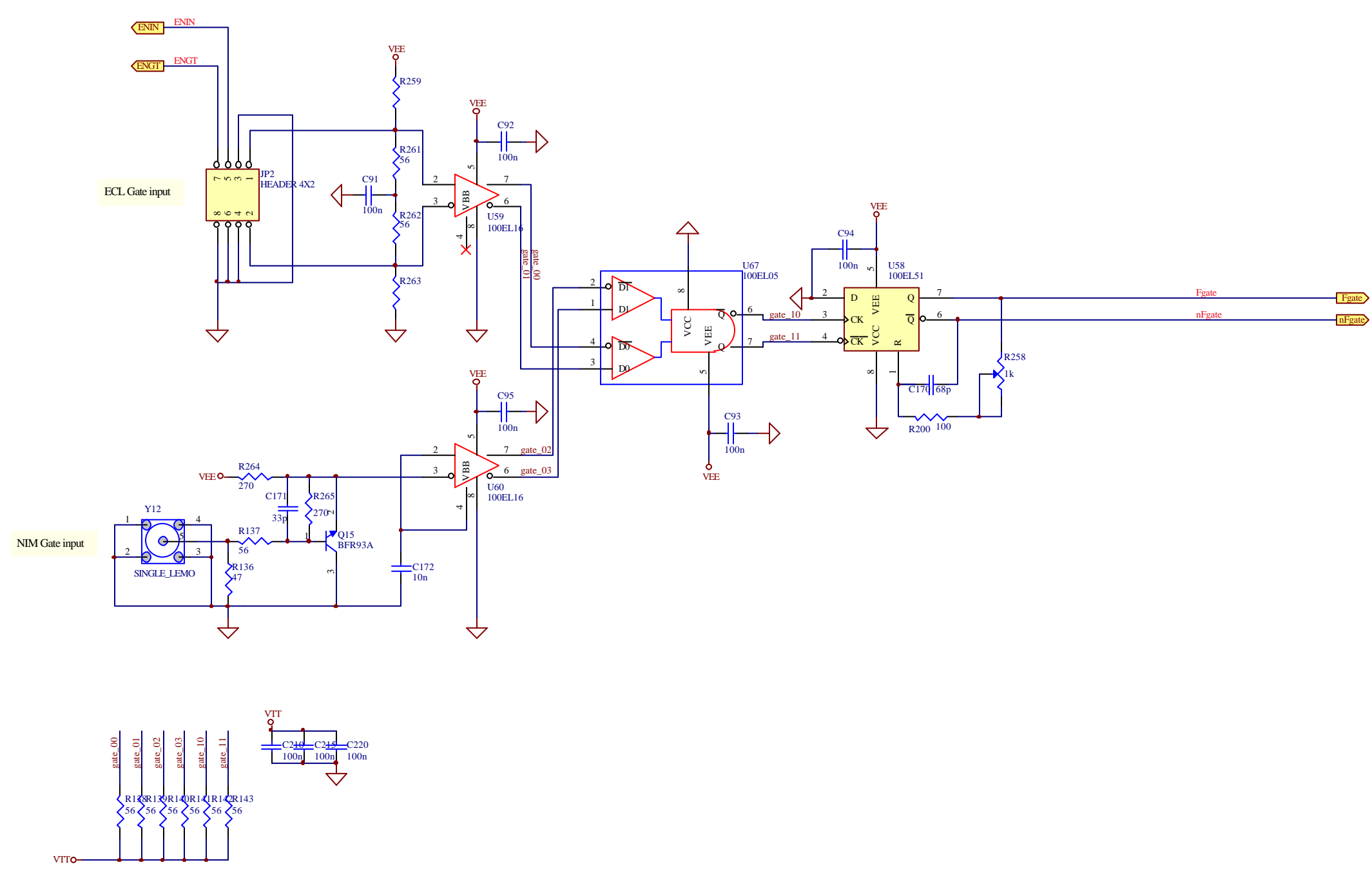
INFN - LNF
via Enrico Fermi, 40
00044
FRASCATI
ITALY





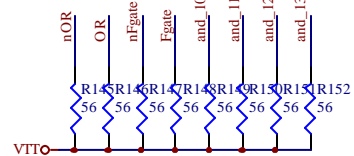
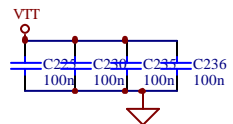
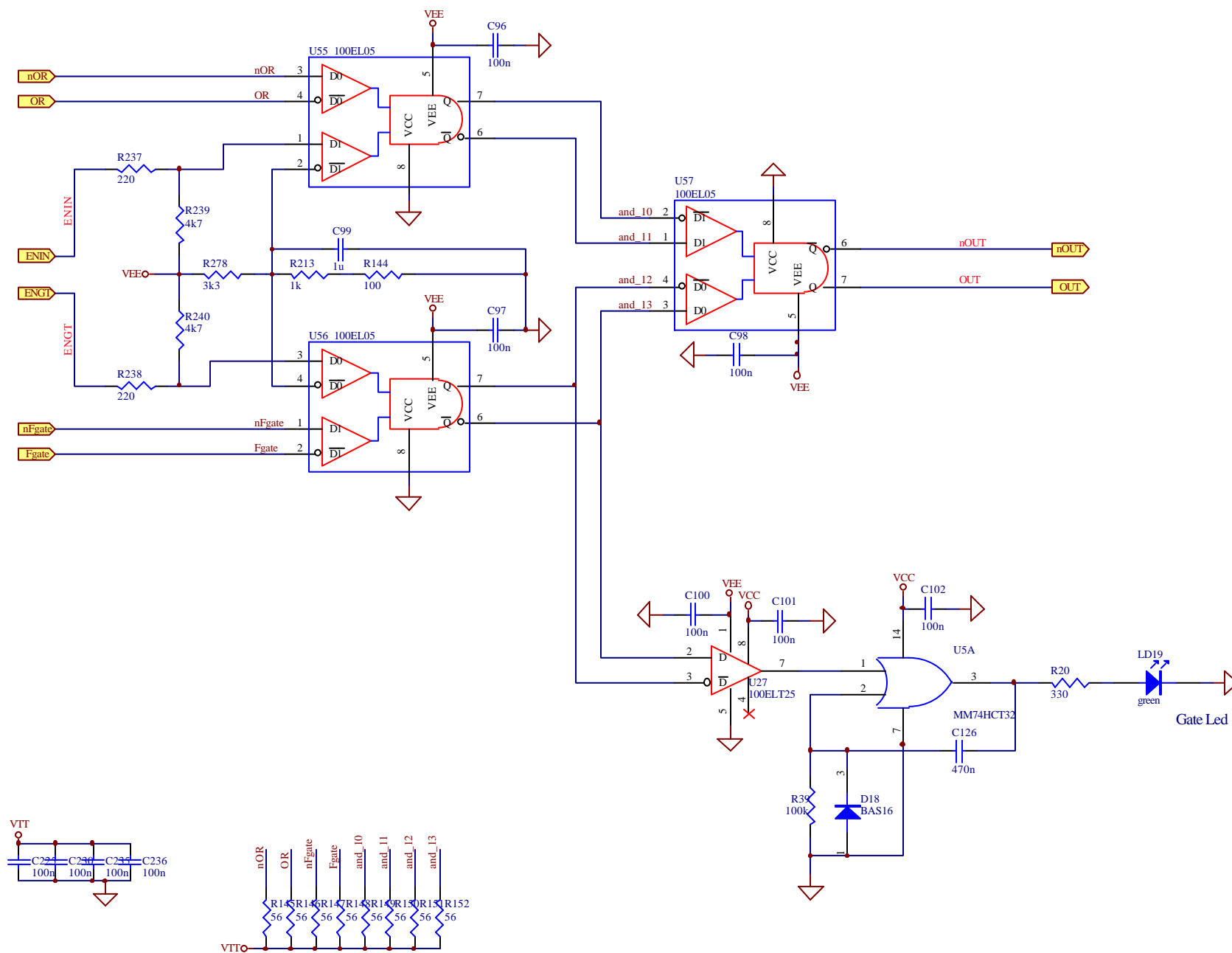
Title ST03 - OR section		INFN - LNF via Enrico Fermi, 40 00044 FRASCATI ITALY	
Size: A3	Number:	Revision: A	
File:	Date: 22-Jul-2003	Time: 19:12:18	Sheet 12 of 15





Title ST03 - Gate section		INFN - LNF via Enrico Fermi, 40 00044 FRASCATI ITALY	
Size: A3	Number:	Revision: A	
File:		Date: 22-Jul-2003	Time: 19:12:19 Sheet 13 of 15





Title ST03 - input and gate coincidence section		INFN - LNF via Enrico Fermi, 40 00044 FRASCATI ITALY	
Size: A3	Number:	Revision: A	
File:	Date: 22-Jul-2003	Time: 19:12:20	Sheet 14 of 15

